



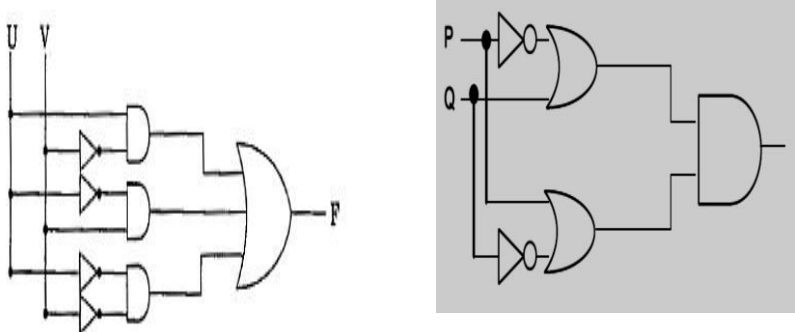
Greenfields Public School

Dilshad Garden, GTB Enclave, Delhi-110093.

Tel; 22584740, 22118756. Email. Info @ greenfieldspublicschool.com

GRADE: XI

SUBJECT: COMPUTER SCIENCE HOLIDAY HOMEWORK ASSIGNMENT

S.NO.	QUESTIONS
1.	What is the role of operating system in computer system? Write its different types and examples
2.	Briefly explain utility Software and its type
3.	What is cache memory? How it is useful?
4.	What do you understand by flash memory?
5.	Draw logo of any 4 operating systems and programming languages.
6.	Derive Truth table & draw a logical Circuit Diagram for the following Boolean Expression: ● $A \cdot (B + D C') \cdot (A' + C)$ ● $x' y' z' + x' y z + x y z + x y' z' + x y' z$
7.	Write the equivalent Boolean Expression for the following Logic Circuit 

8.	<p>Write the Dual for the following:</p> <ul style="list-style-type: none"> ○ $(A' B) + (C' 1) = (A' + C) (B + C)$ ○ $(AB' + C) D' + E$ ○ $AB(C'D + CD') + A'B'(C + D)(C + D')$
9.	<p>Prove using Truth Table & Algebraic method</p> <ul style="list-style-type: none"> ○ $X+X'Y=X+Y$ ○ $A(B+B'C+B'C')=A$ ○ $(X+Y+Z)(X'+Y+Z)=Y+Z$
10.	<ol style="list-style-type: none"> 1. Differentiate between Algorithm & Flowchart. 2. Draw symbols used in Flowcharts with their purpose
10.	<p>Make posters on A3 size sheet roll no wise</p> <ul style="list-style-type: none"> • Cyber Security & Flow Charts (Roll No 1-10) • Cyber Bullying & Cyber Crime (Roll No 11-20) • Cyber Ethics or Viruses & Types (Roll No 21-30) • Datatypes in python or Keywords in Python (Roll No 31-40) • Net Etiquettes (Roll No 41-50)
11.	<p>Prepare Power Point Presentation on</p> <p>Roll No 1 -10 - different persons who contributed in the field of computer science and artificial intelligence.</p> <p>Roll No 11-20 Digital Footprints, Digital Society and Netizen: net etiquettes, communication etiquettes, social media etiquettes</p> <p>Roll No 21-30 Data Protection: Intellectual property rights (copyright, patent, trademark), violation of IPR (plagiarism, copyright infringement, trademark infringement), open-source software and licensing (Creative Commons, GPL and Apache)</p> <p>RollNo 31-40 Cyber Crime: definition, hacking, eavesdropping, phishing and fraud emails, ransomware, cyber trolls, cyber bullying Cyber safety: safely browsing the web, identity protection, confidentiality</p> <p>RollNo 41 onwards Malware: Types of Malware Viruses, Trojans, adware etc</p> <p>NOTE ALL THE GROUPS WILL BE PRESENTING THEIR RESPECTIVE TOPICS IN THE CLASS</p>

*****HAPPY HOLIDAYS*****